

MULTI

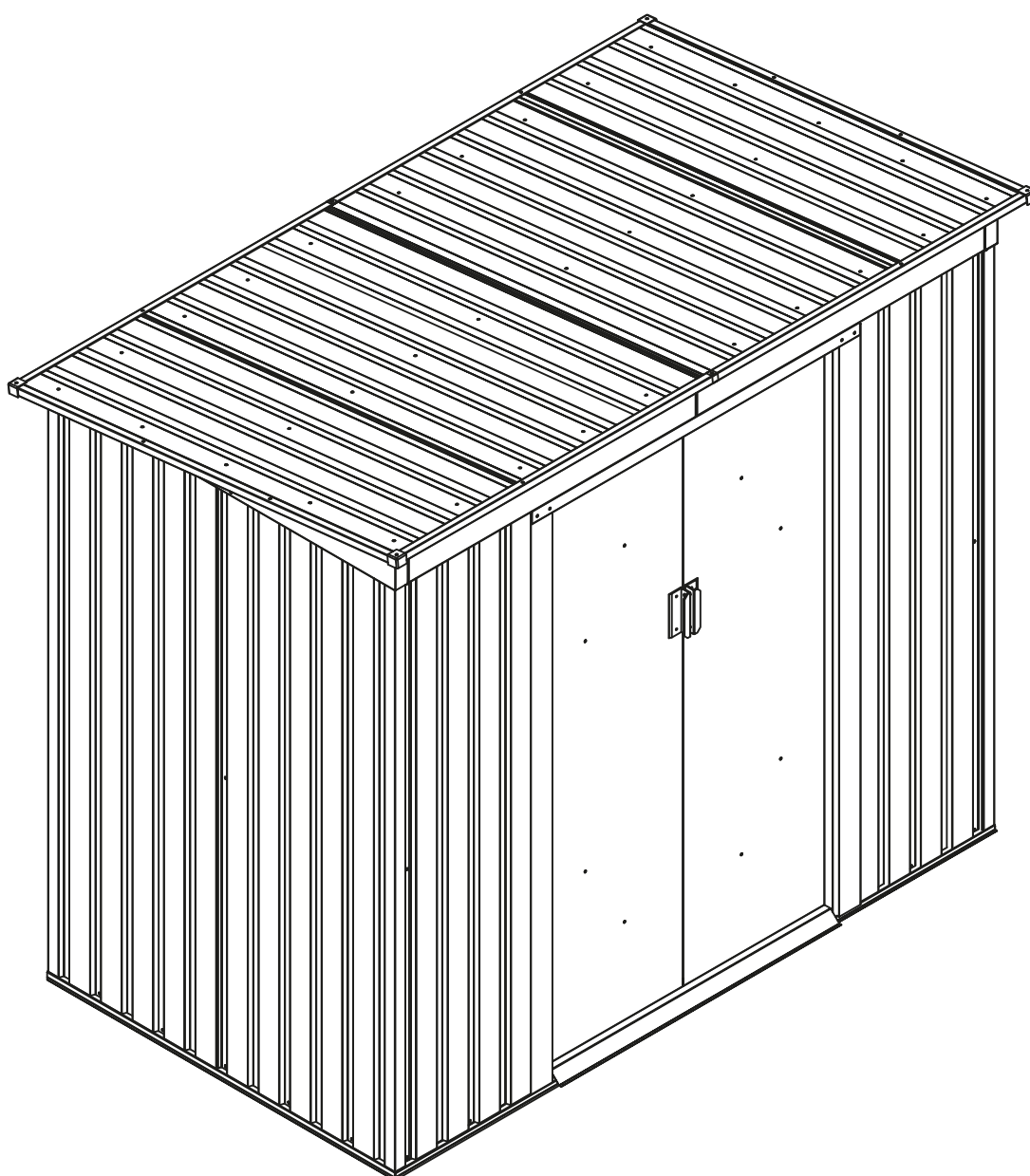
BRAND

ITALIA

ACTION BEFORE THOUGHT

# MANUALE DI MONTAGGIO

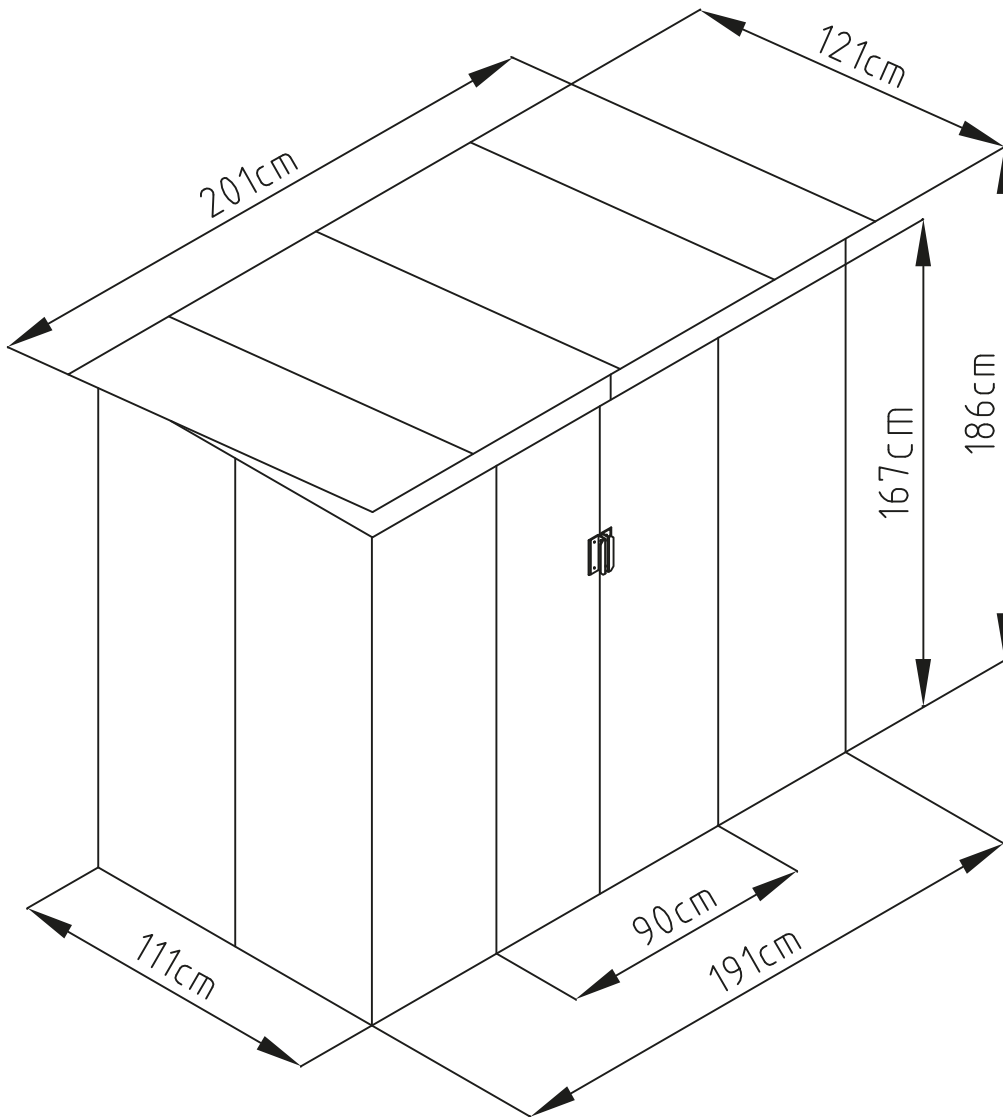
## Istruzioni per il montaggio Casetta Metal Sky



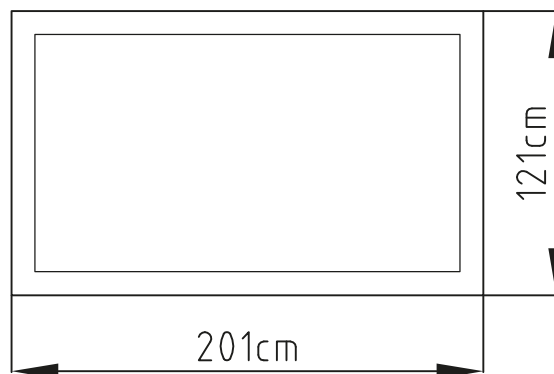
---

Richiede due persone e 1-2 ore per l'installazione

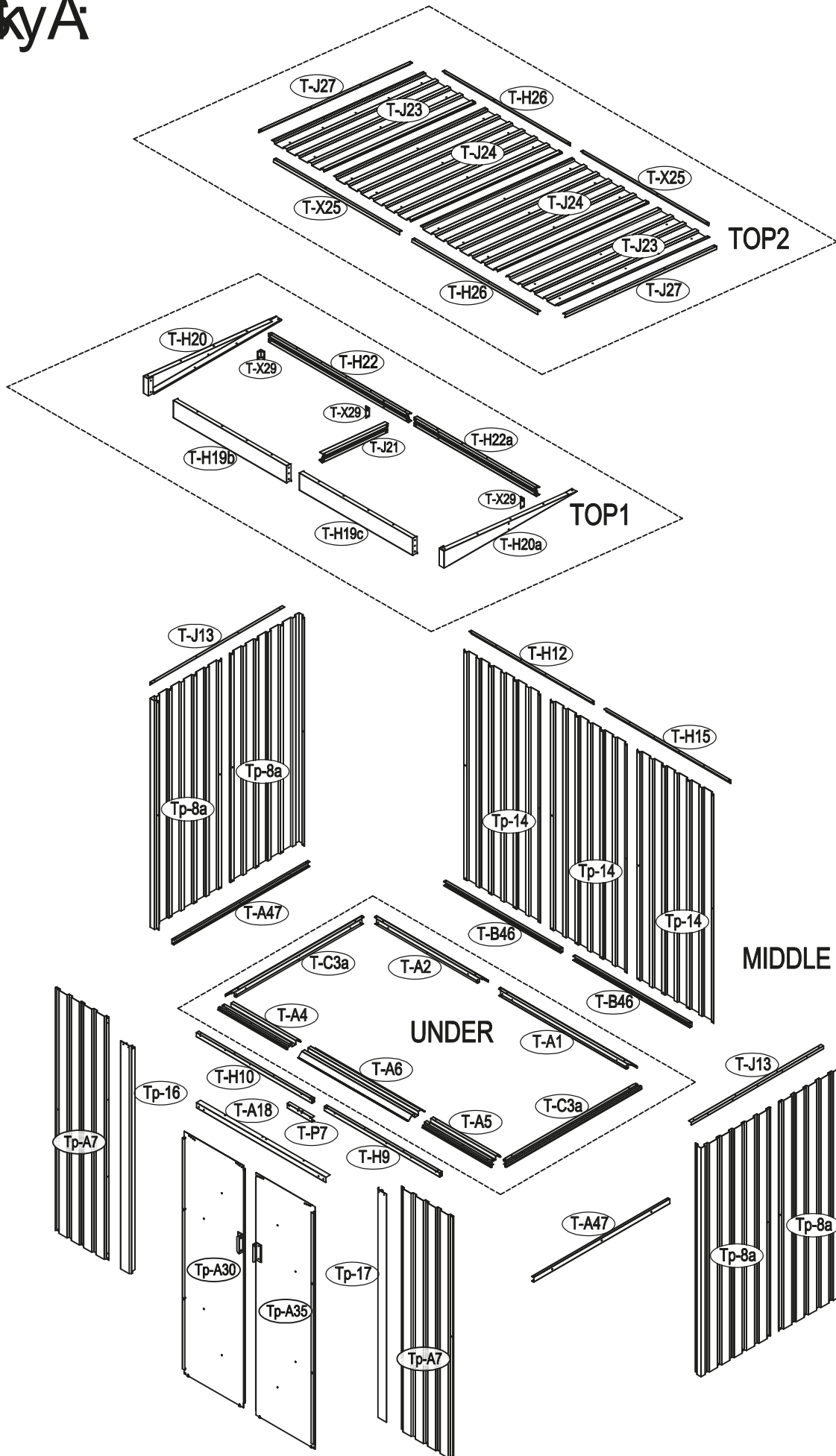
# Size of Sky-A:



# Area of installation requirement:



# SkyA





**NOTE:**It is important that these instructions are followed step by step.

**Metal Shed must be installed on a level wooden platform or a level concrete foundation**

Wooden platform is extra and is not included.  
Don't install under windy conditions.

We recommend to clear your metal shed of snow after each snowfall.

**Wooden Platform**

The following are a list of lumber and sizes you will need.

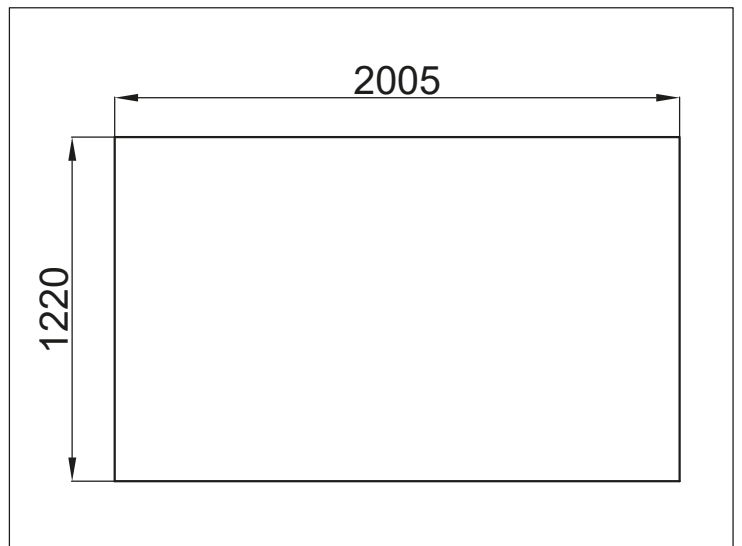
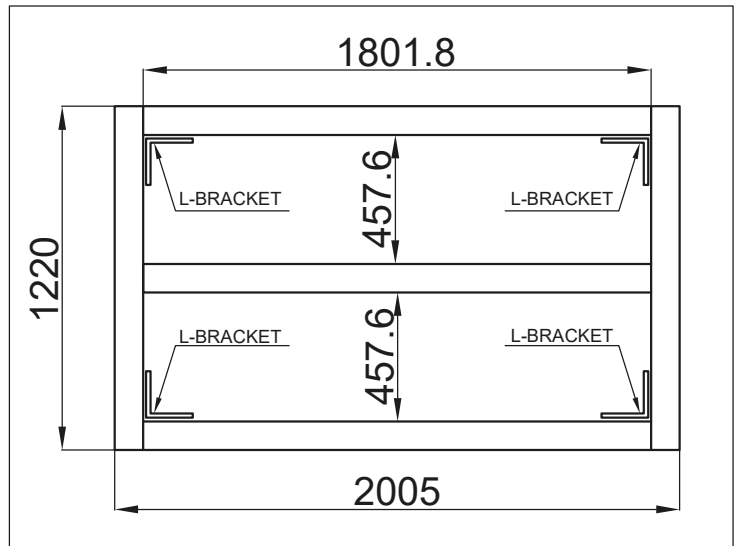
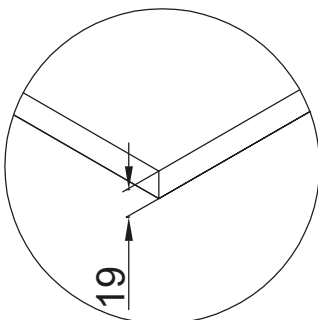
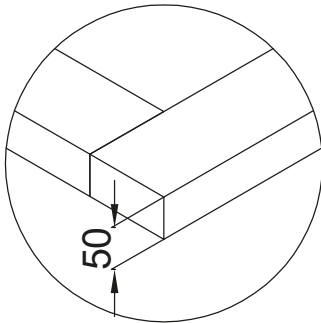
**Pressure Treated-Wood Studs:**

50mmX101.6mmX1220mm.....(2)

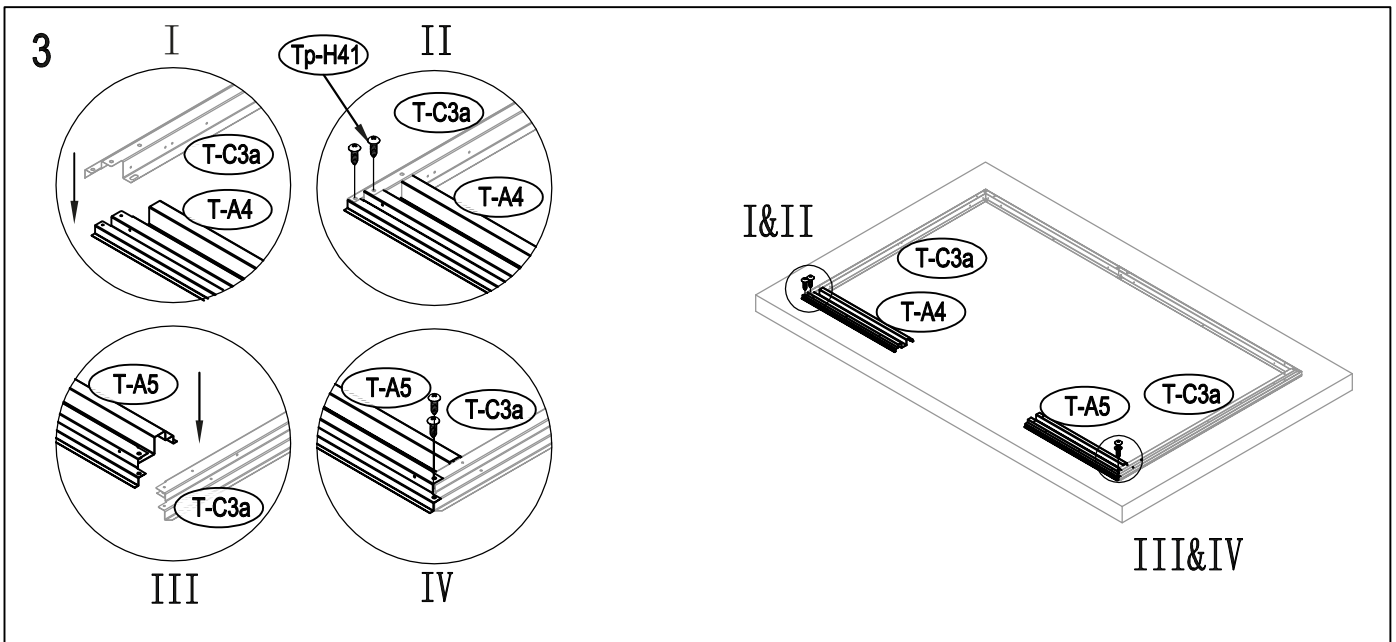
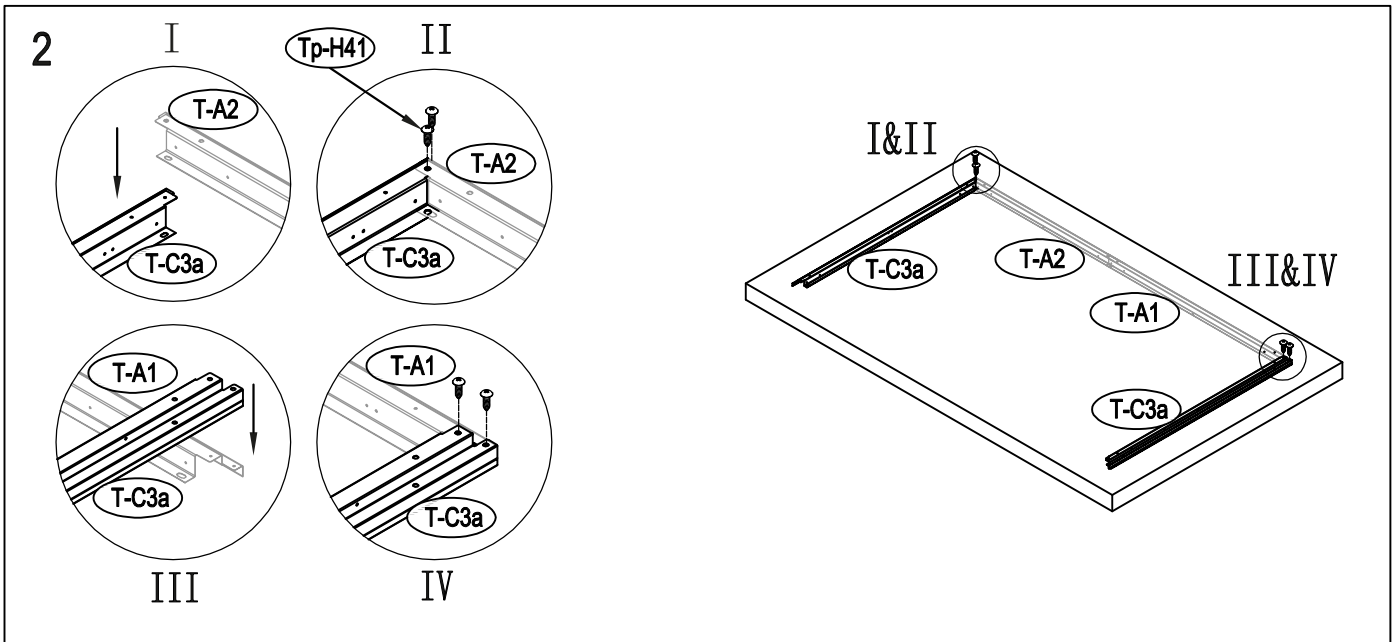
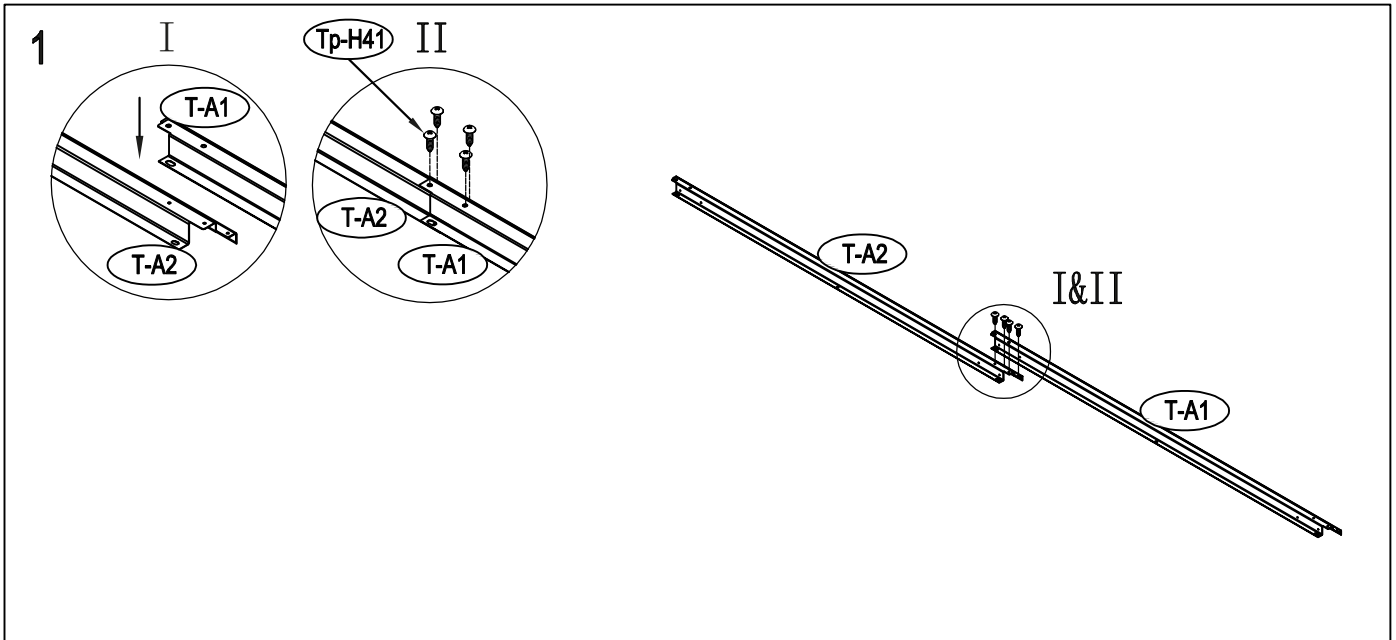
50mmX101.6mmX1801.8mm.....(3)

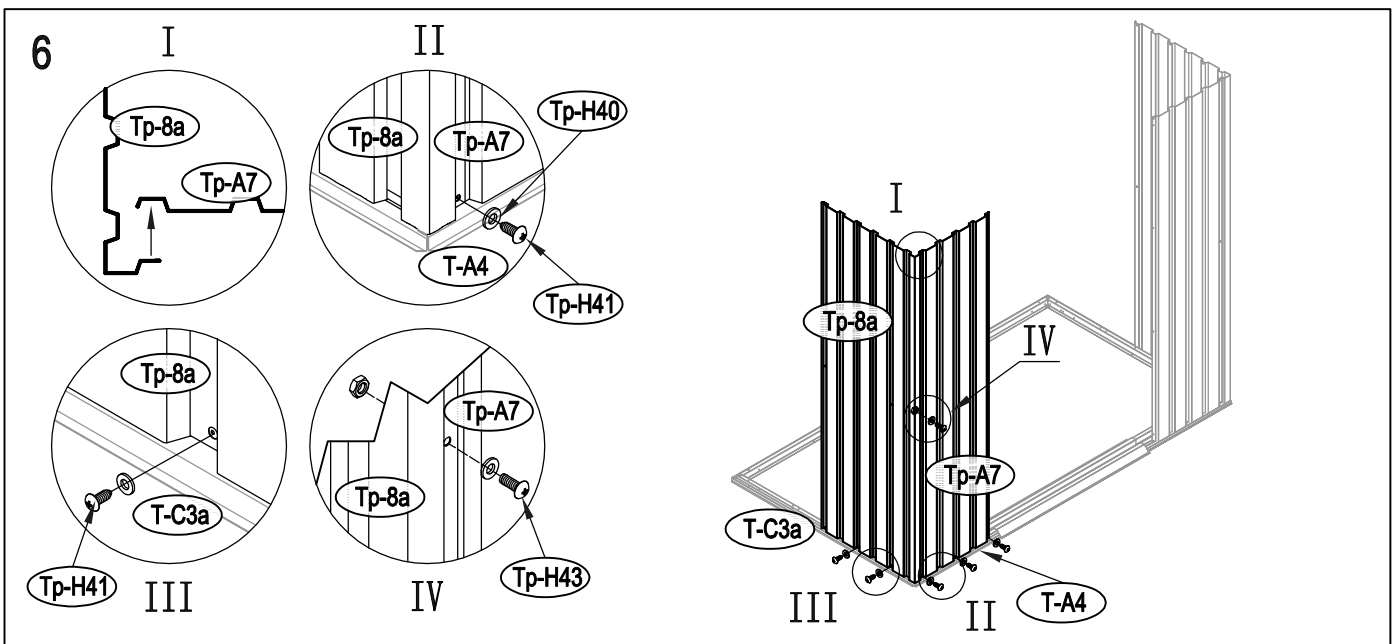
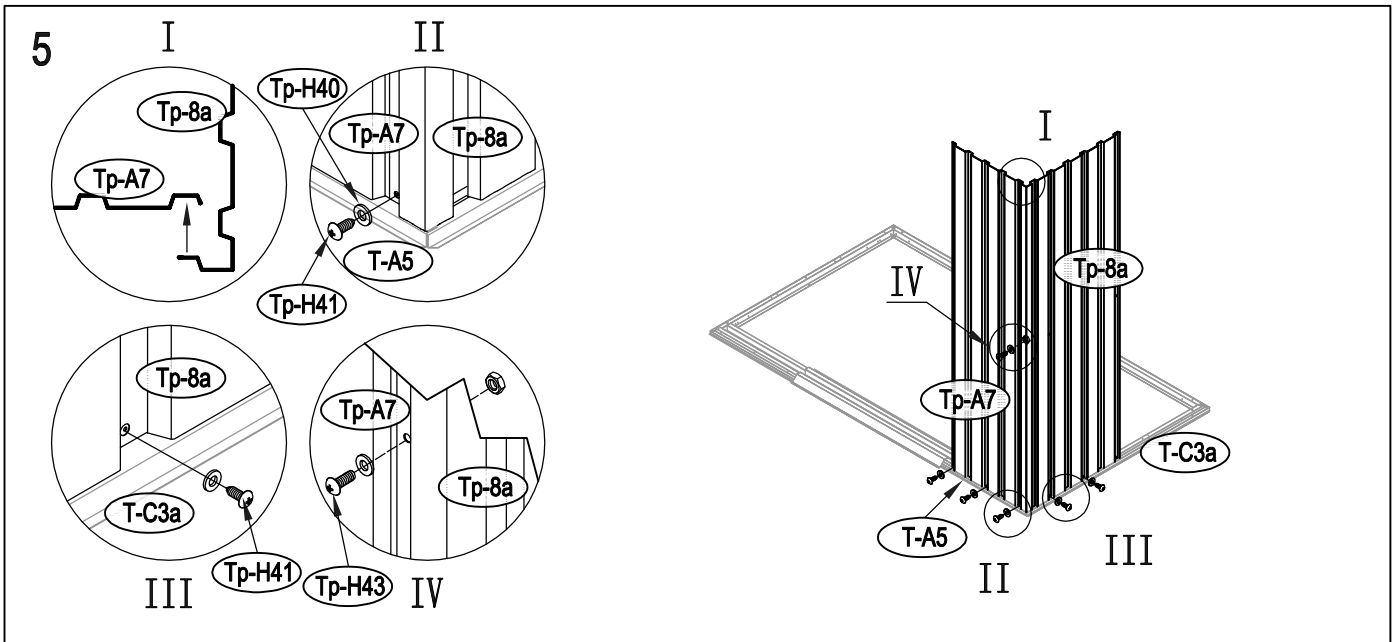
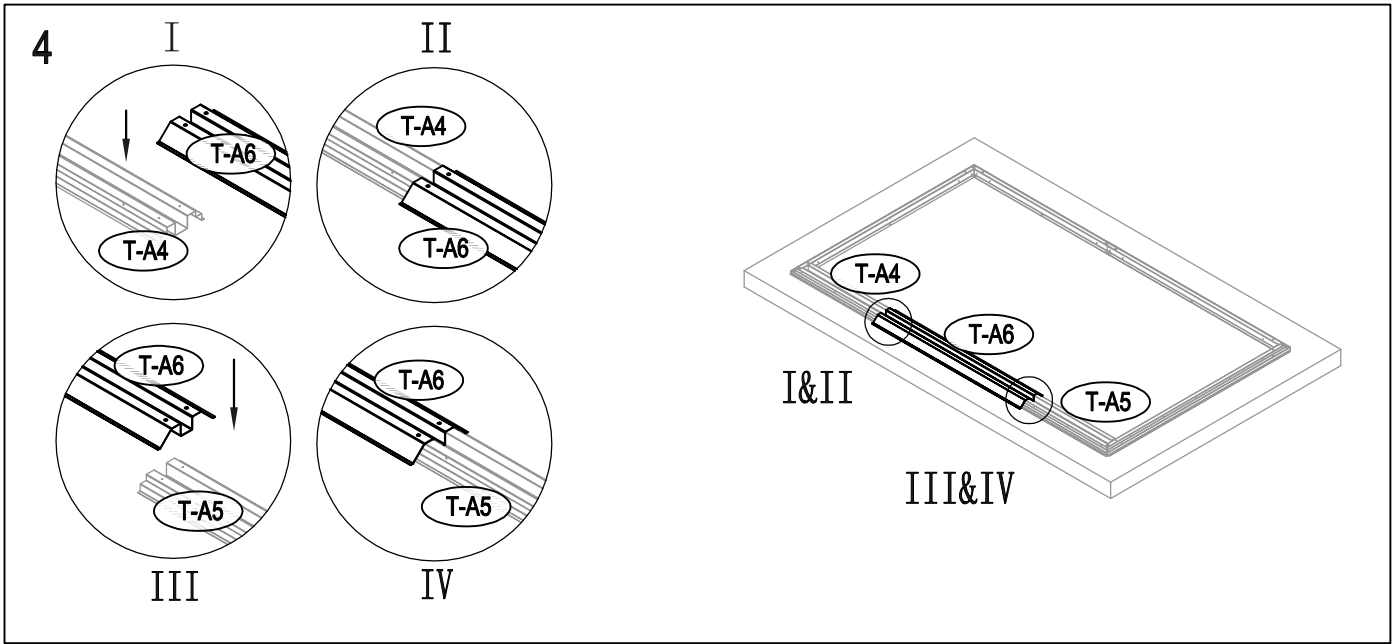
**Exterior Grade (CDX-19mm) plywood**

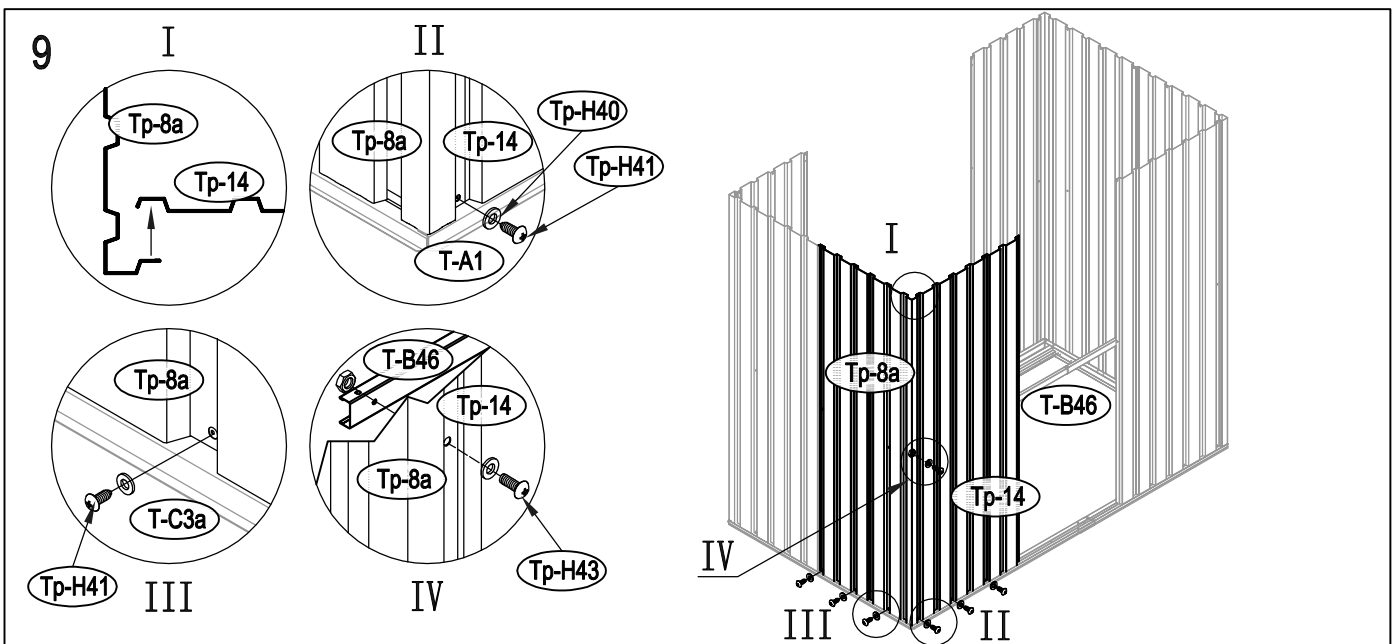
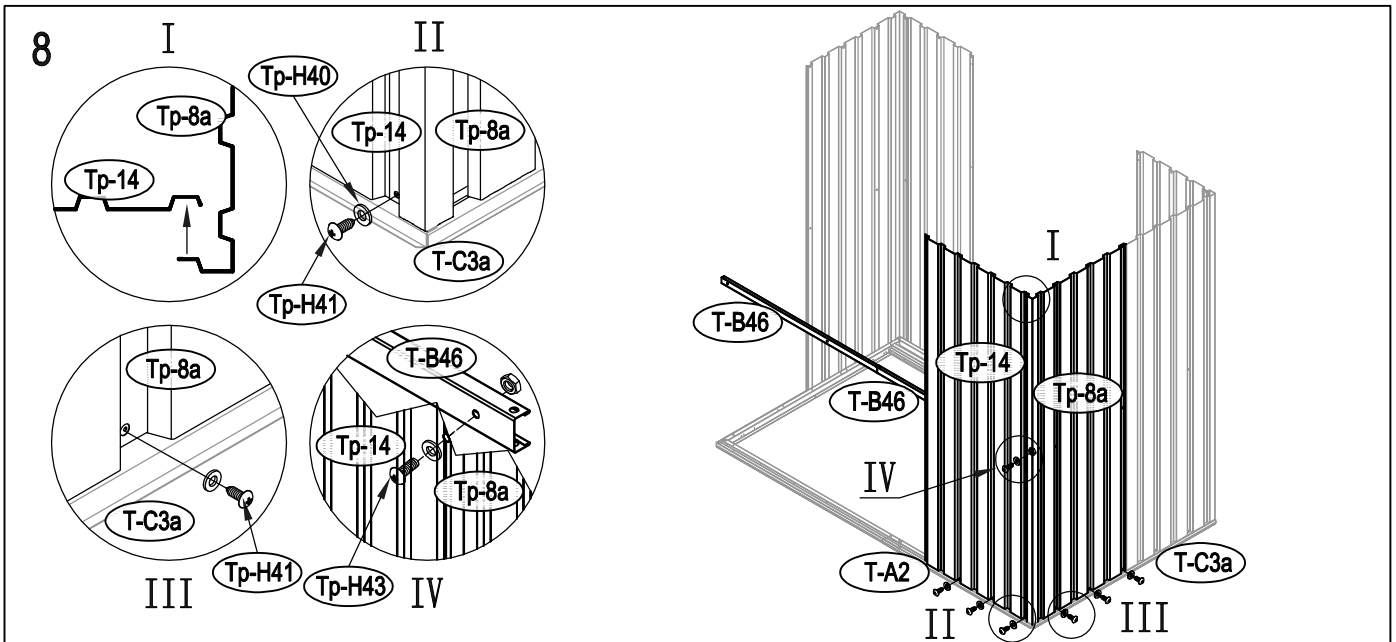
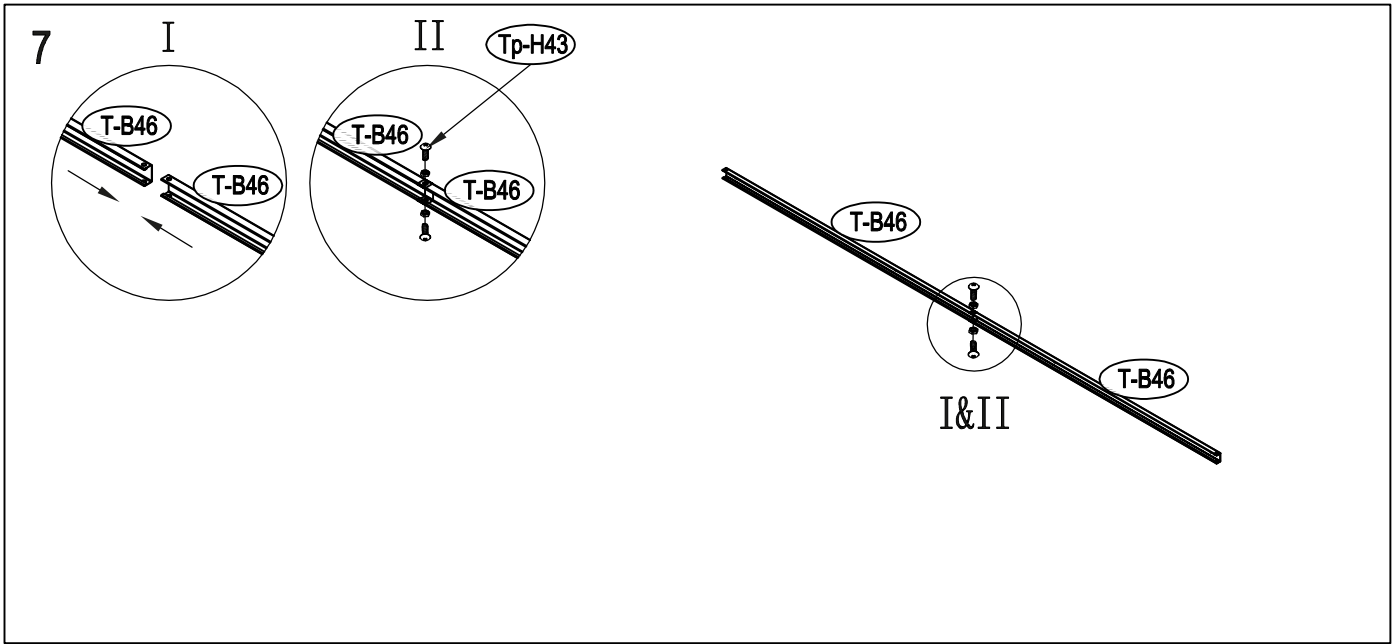
19mmX1220mmX2005mm.....(1)

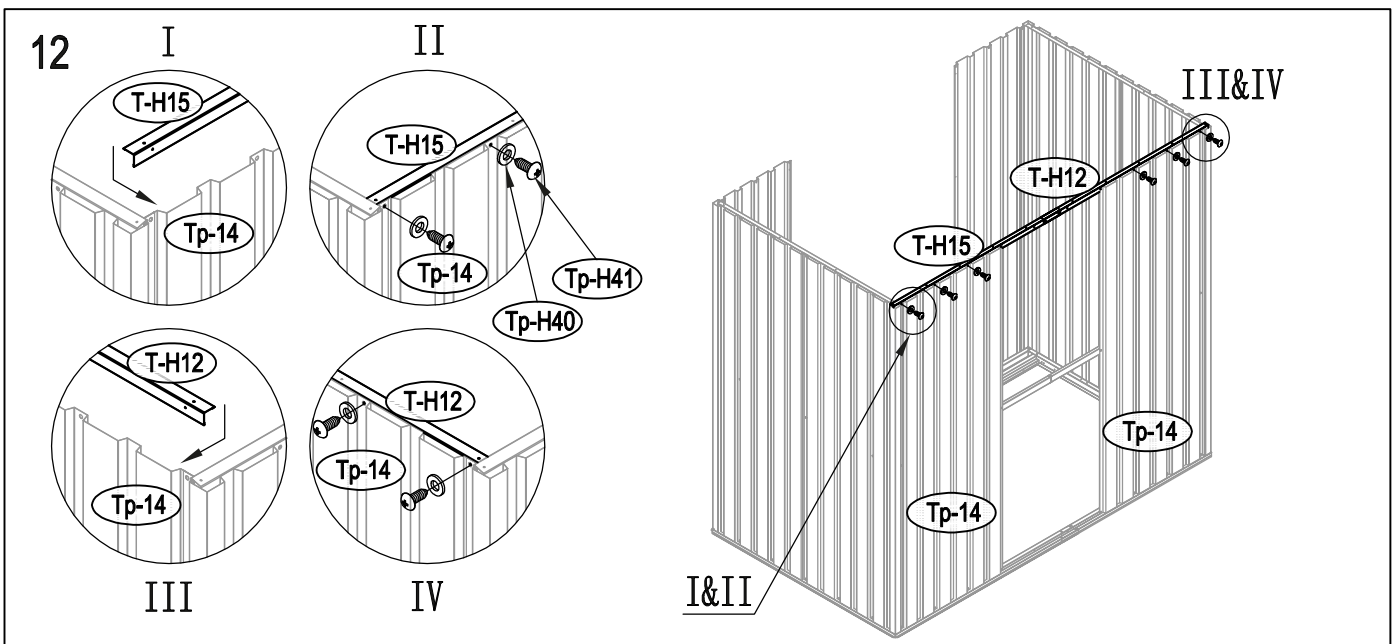
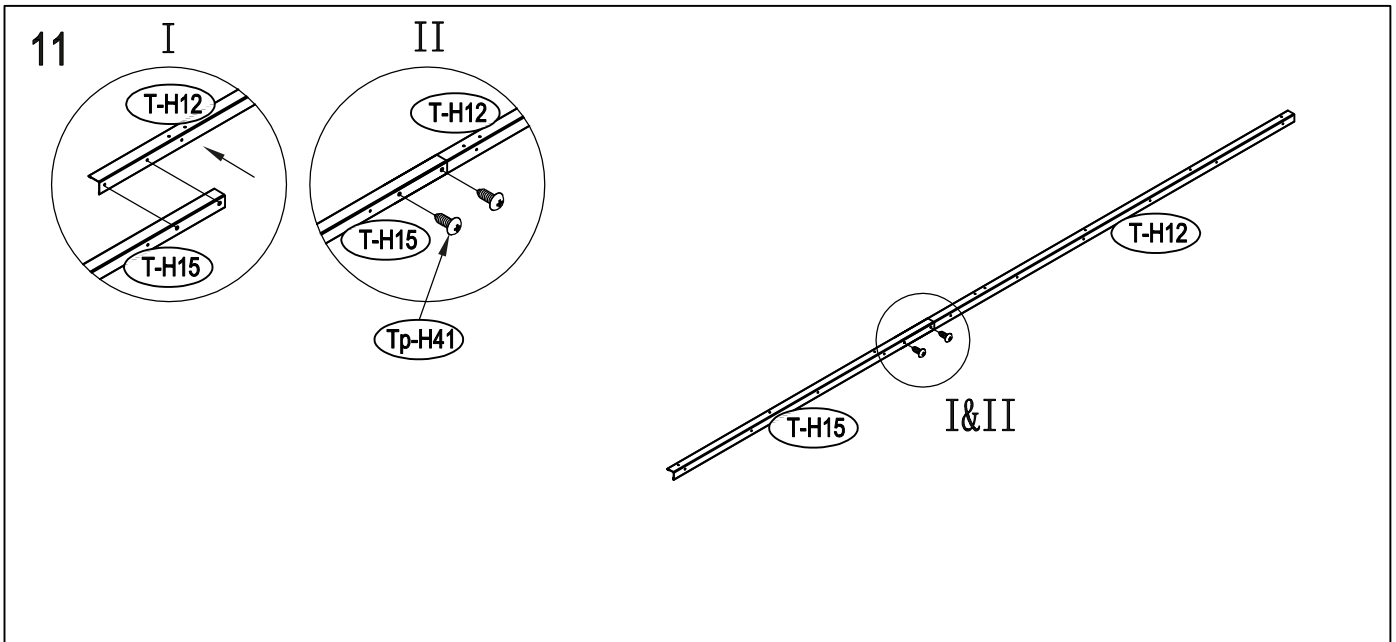
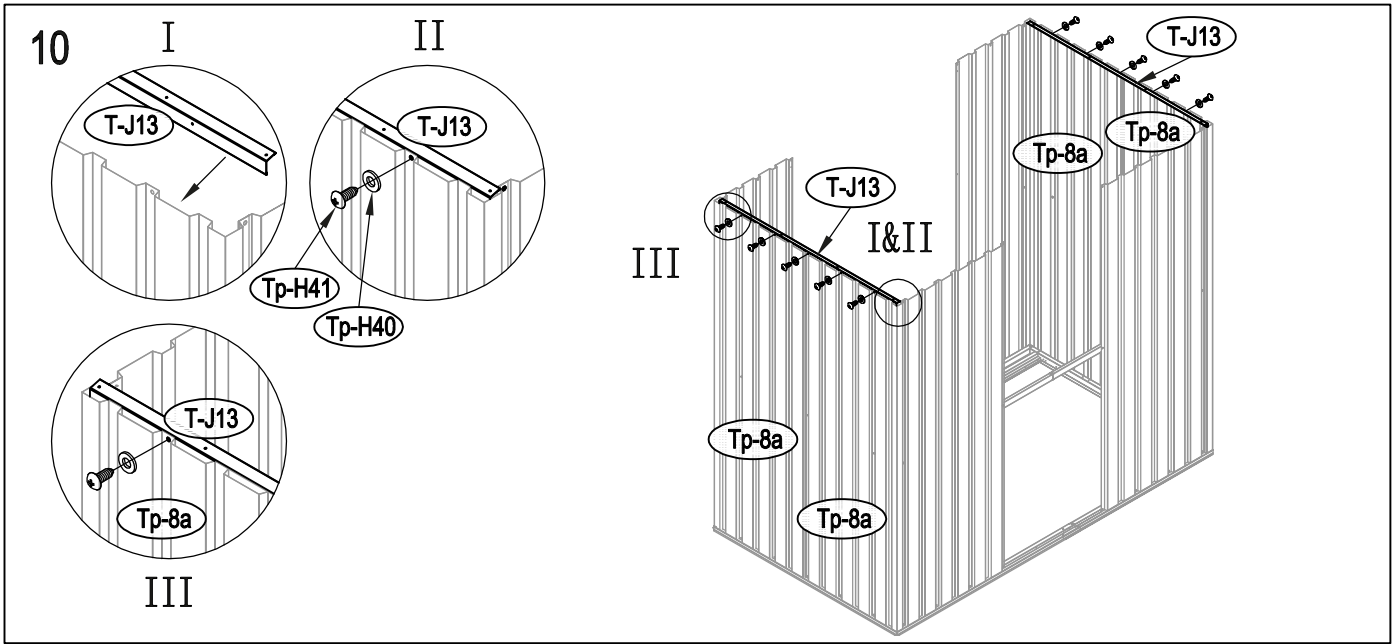


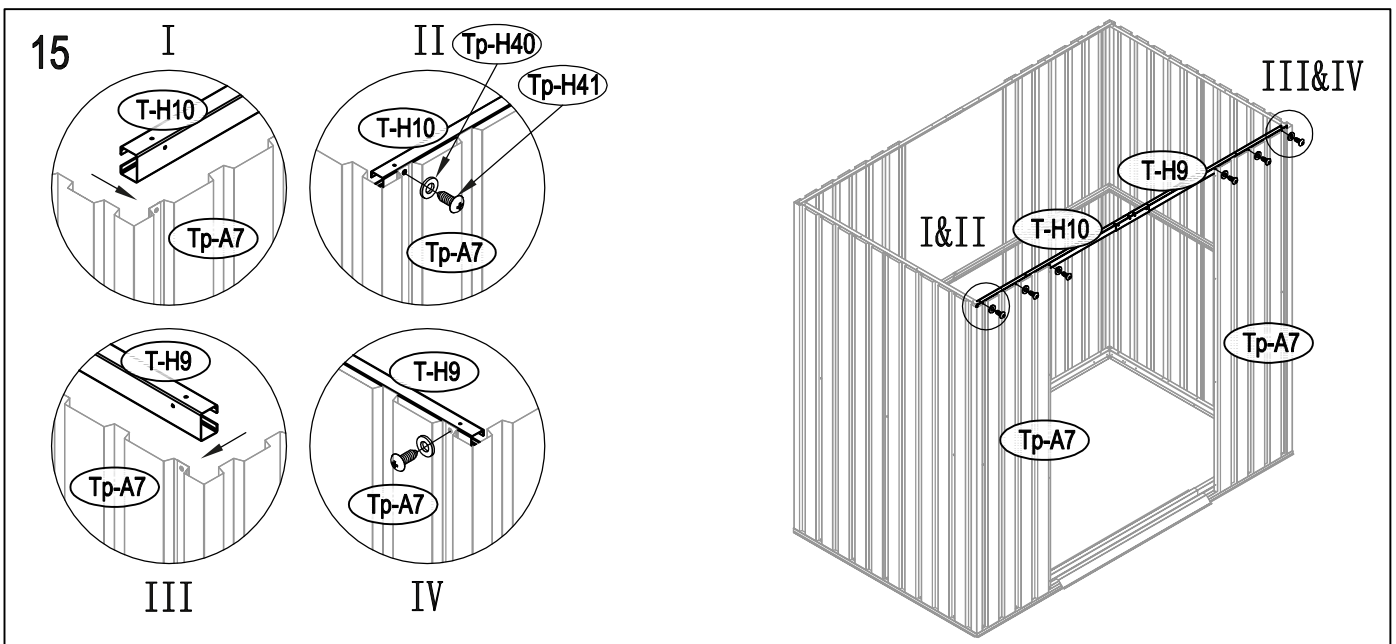
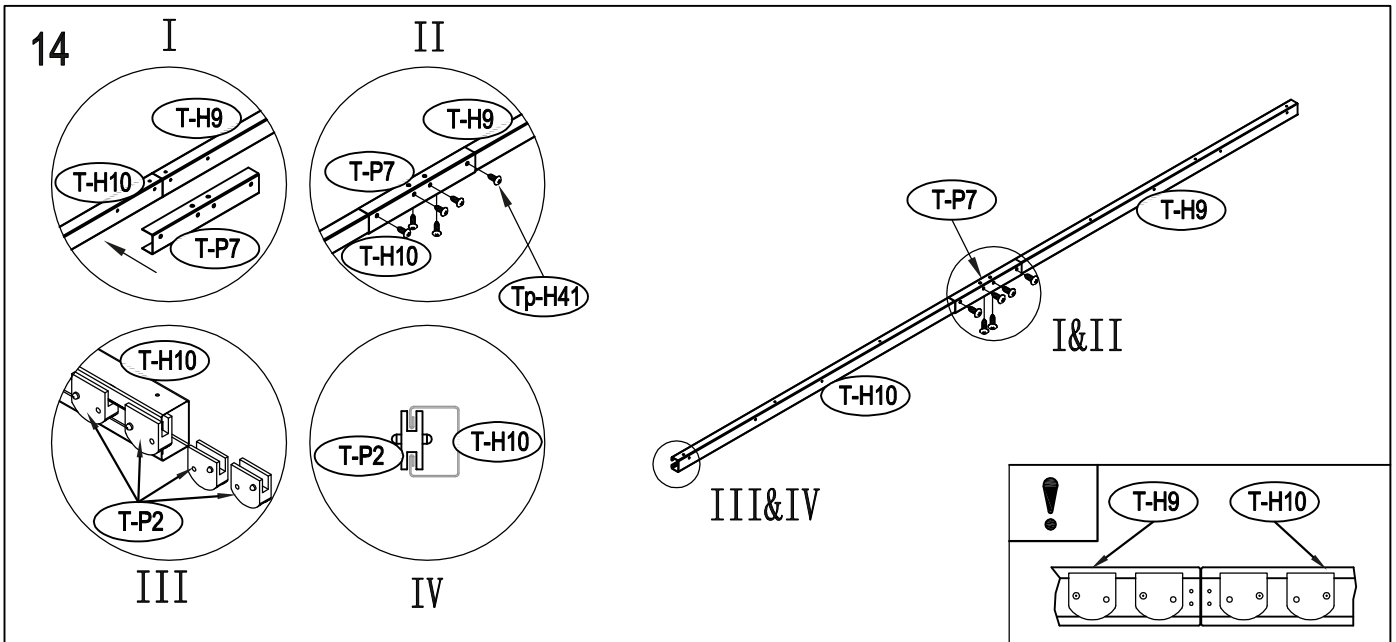
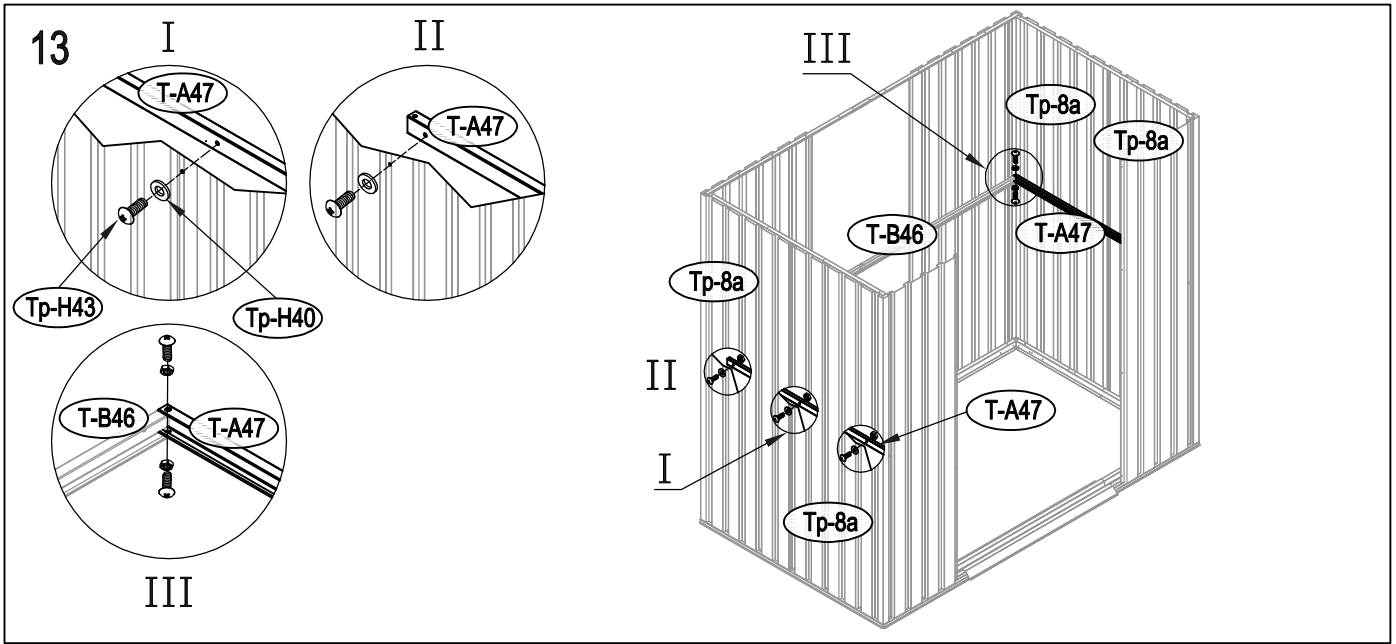
**Important:** Use hand gloves to prevent injury.

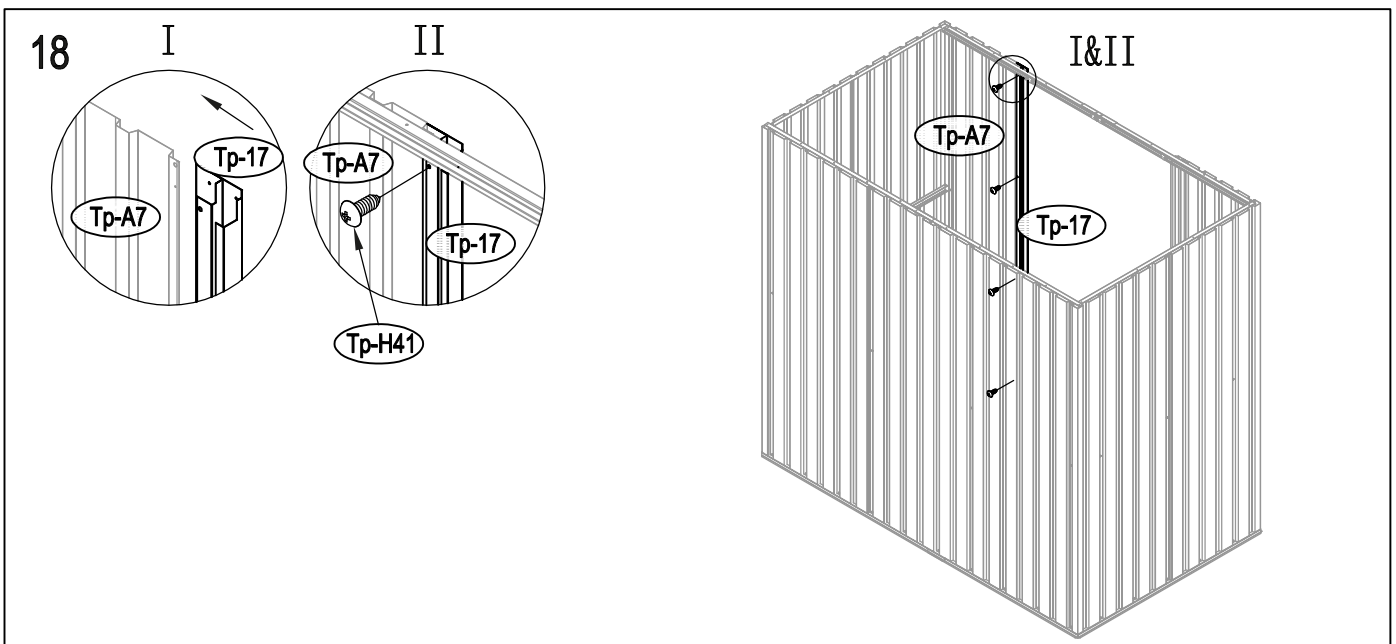
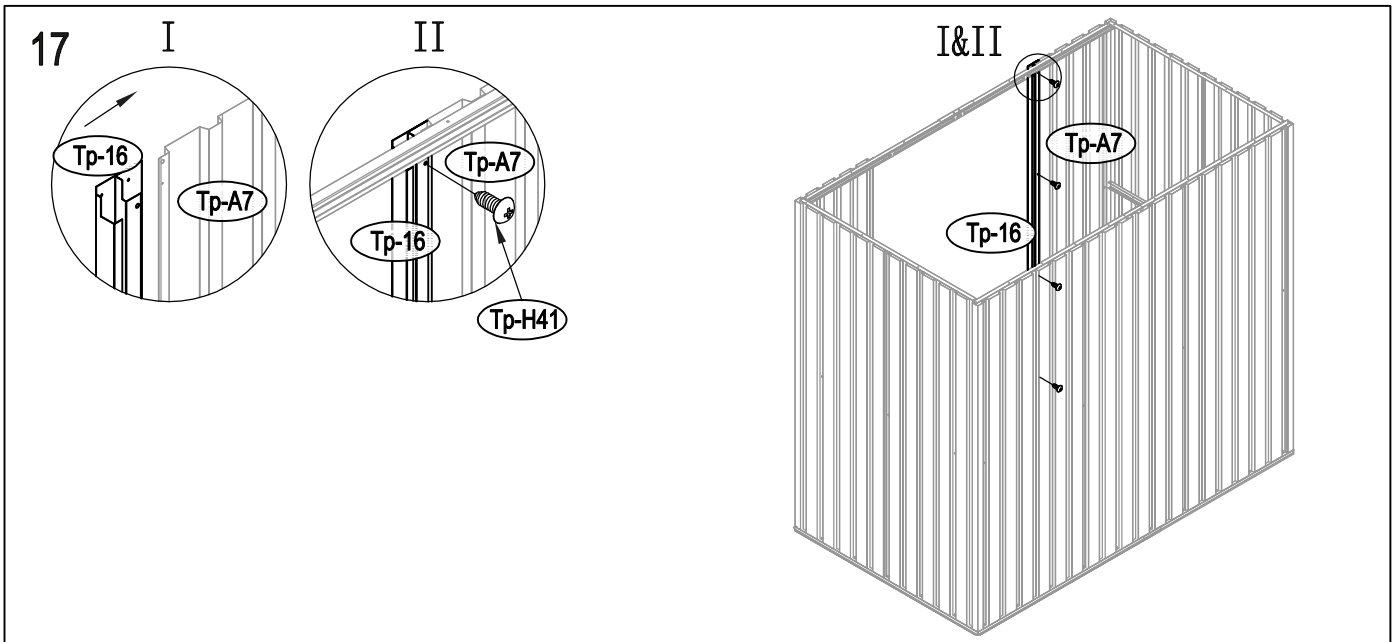
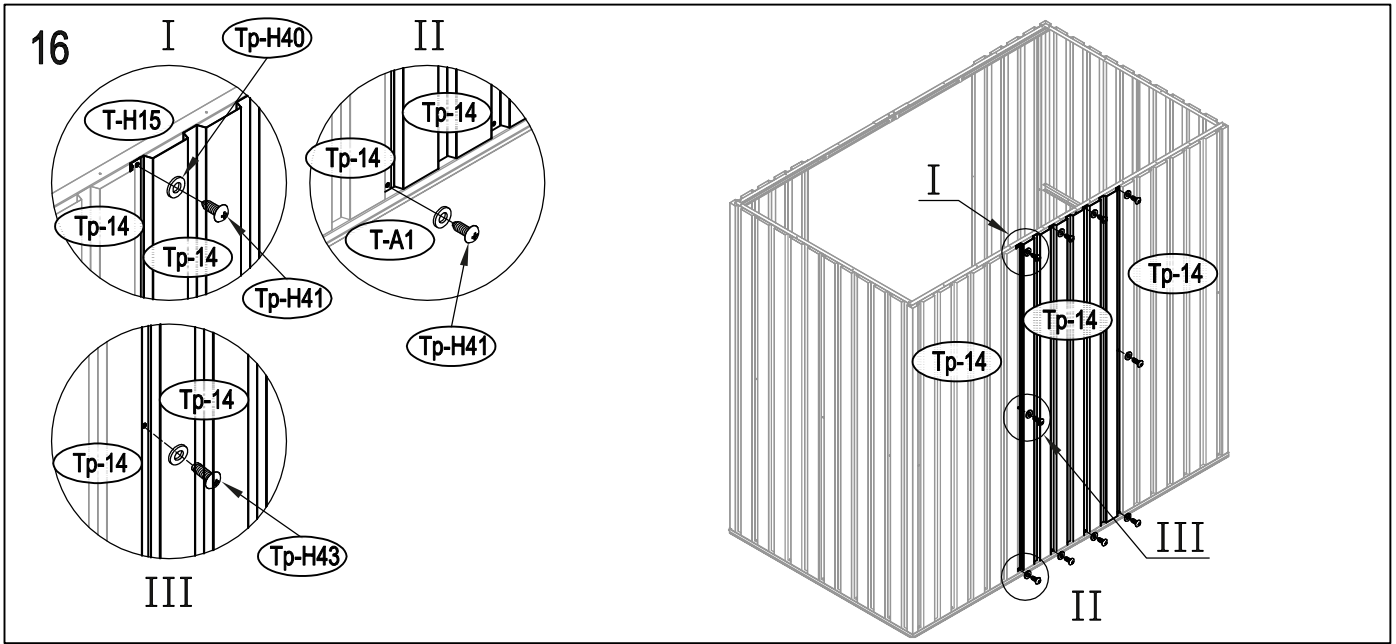


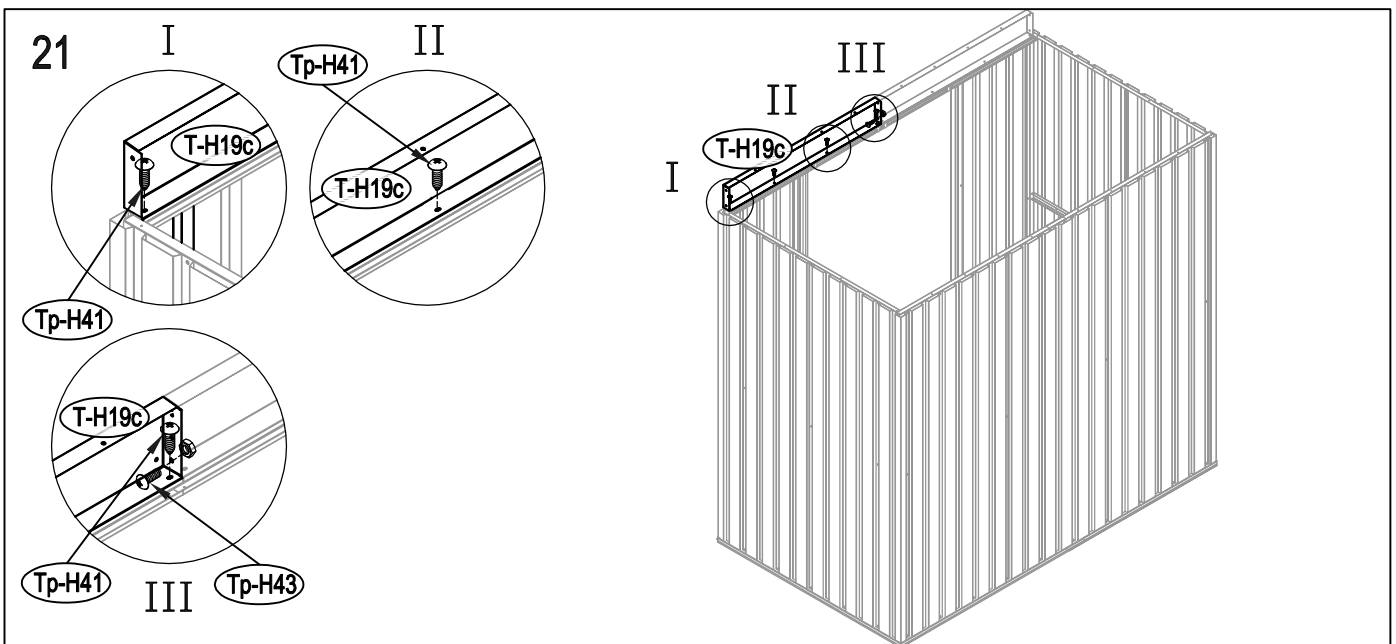
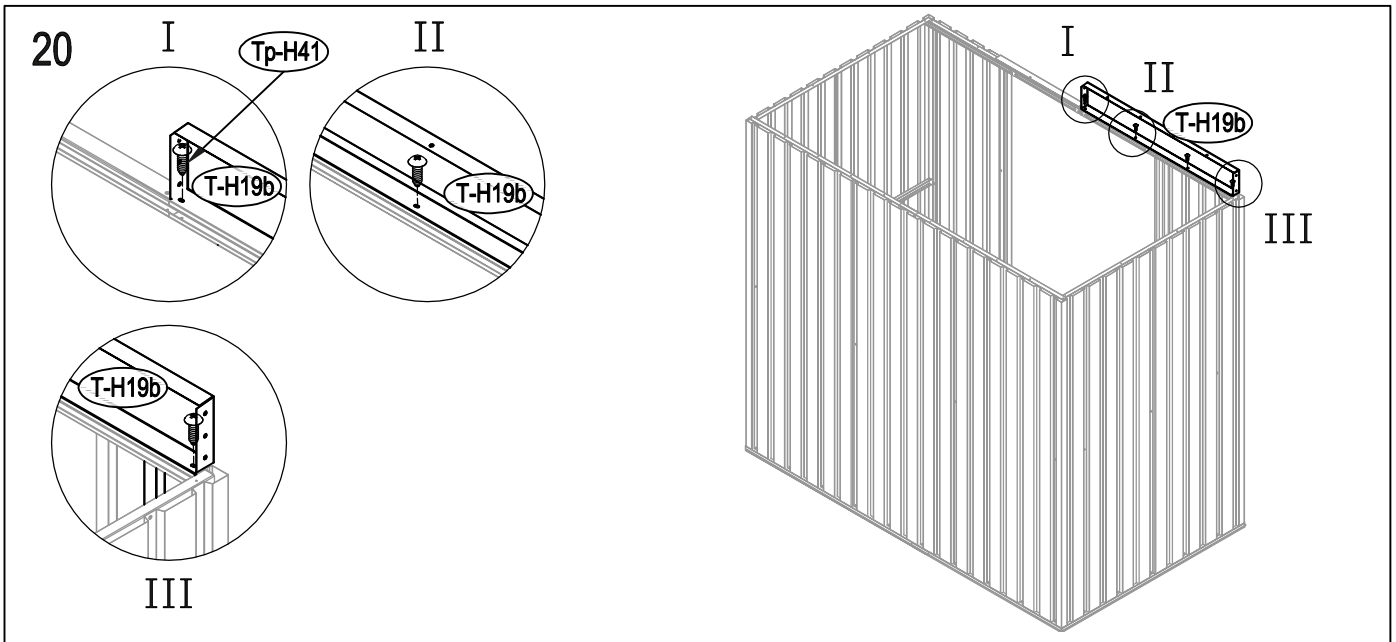
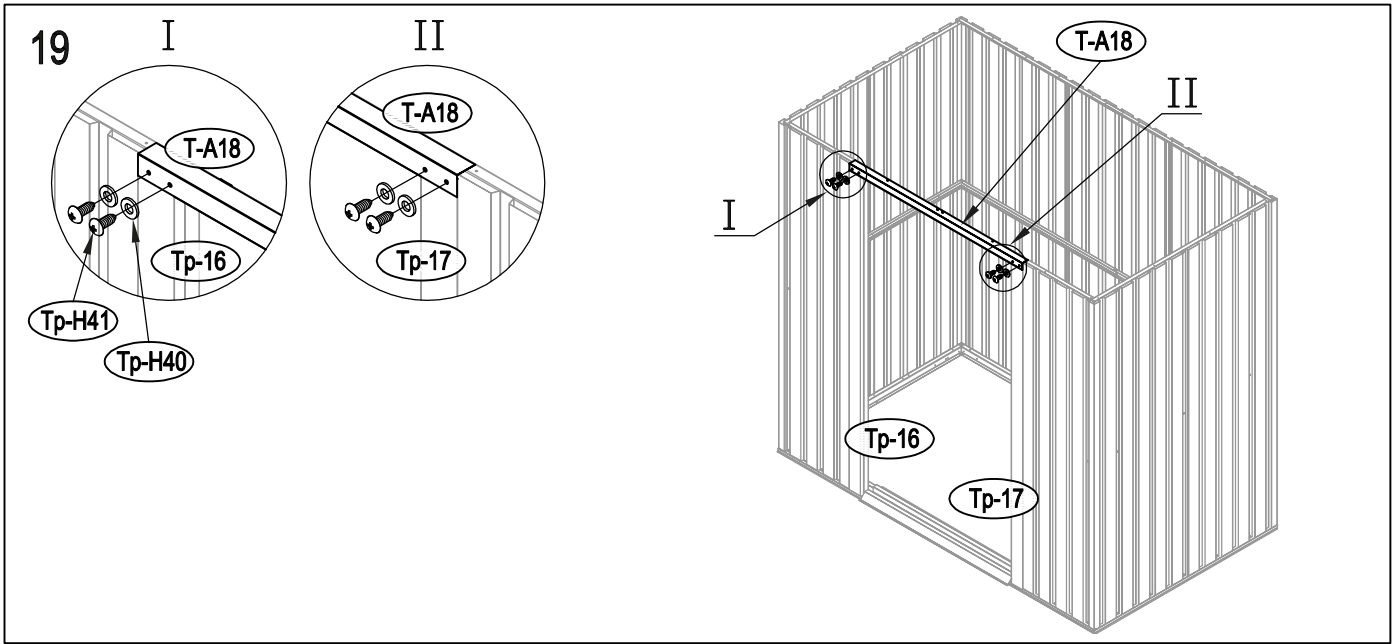


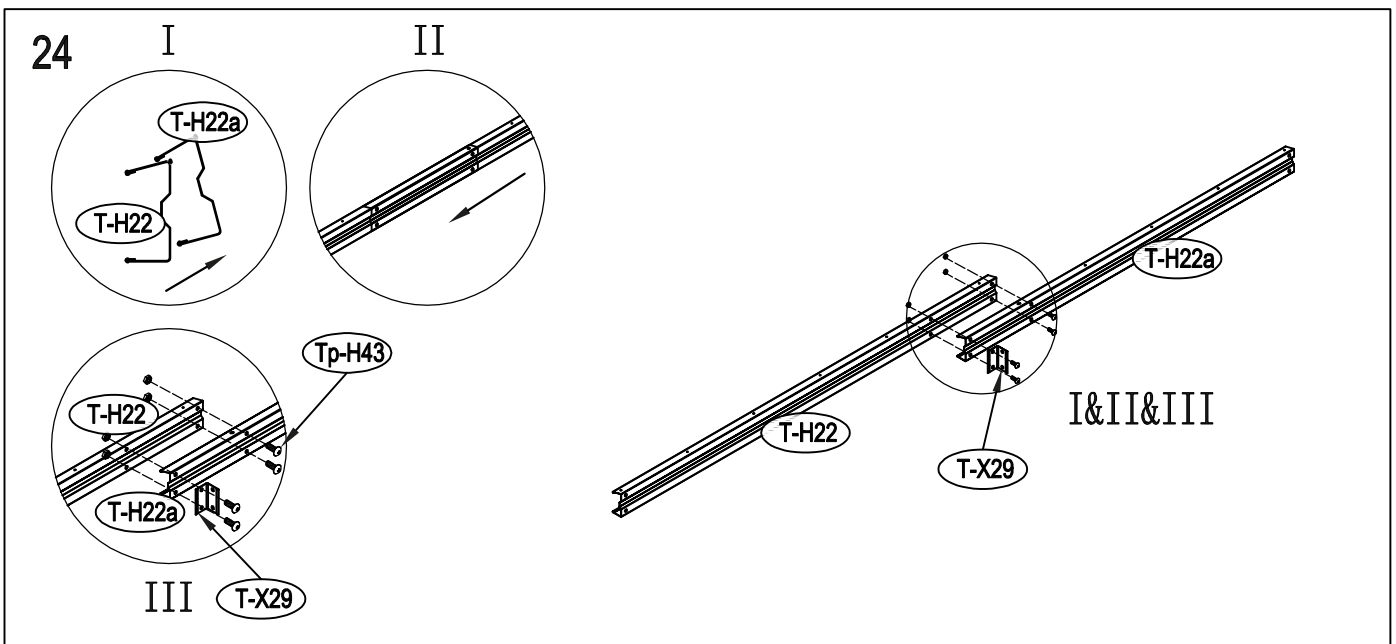
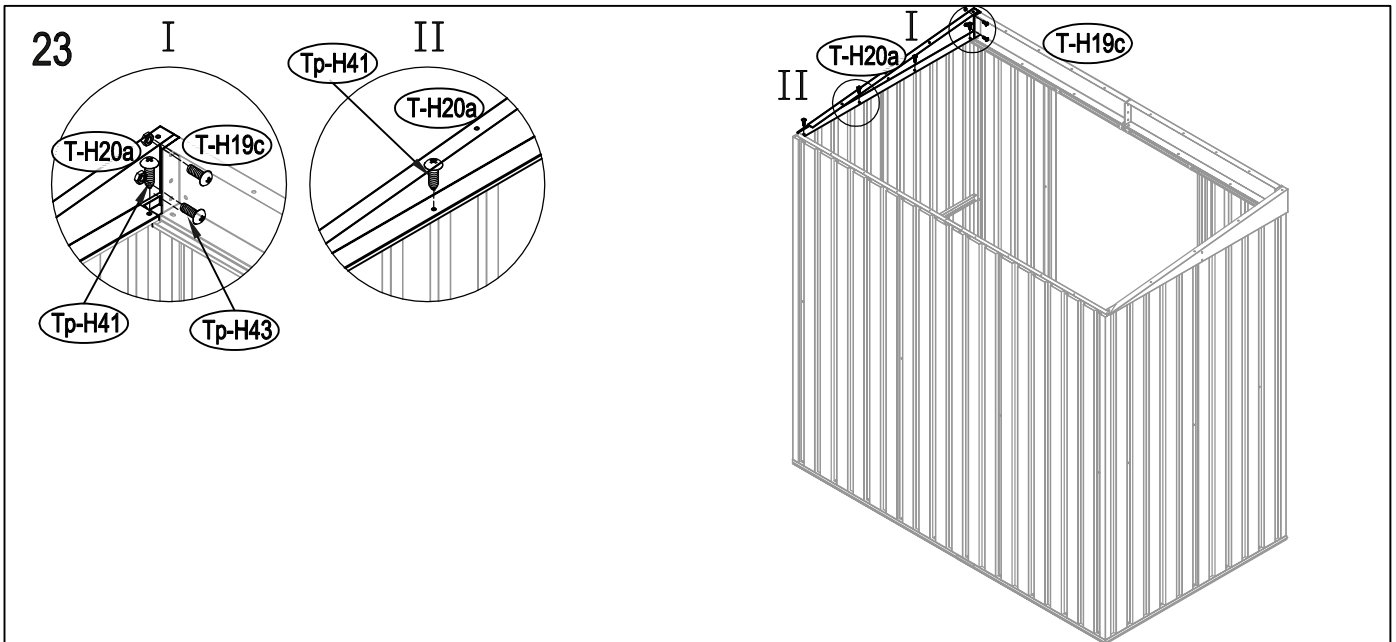
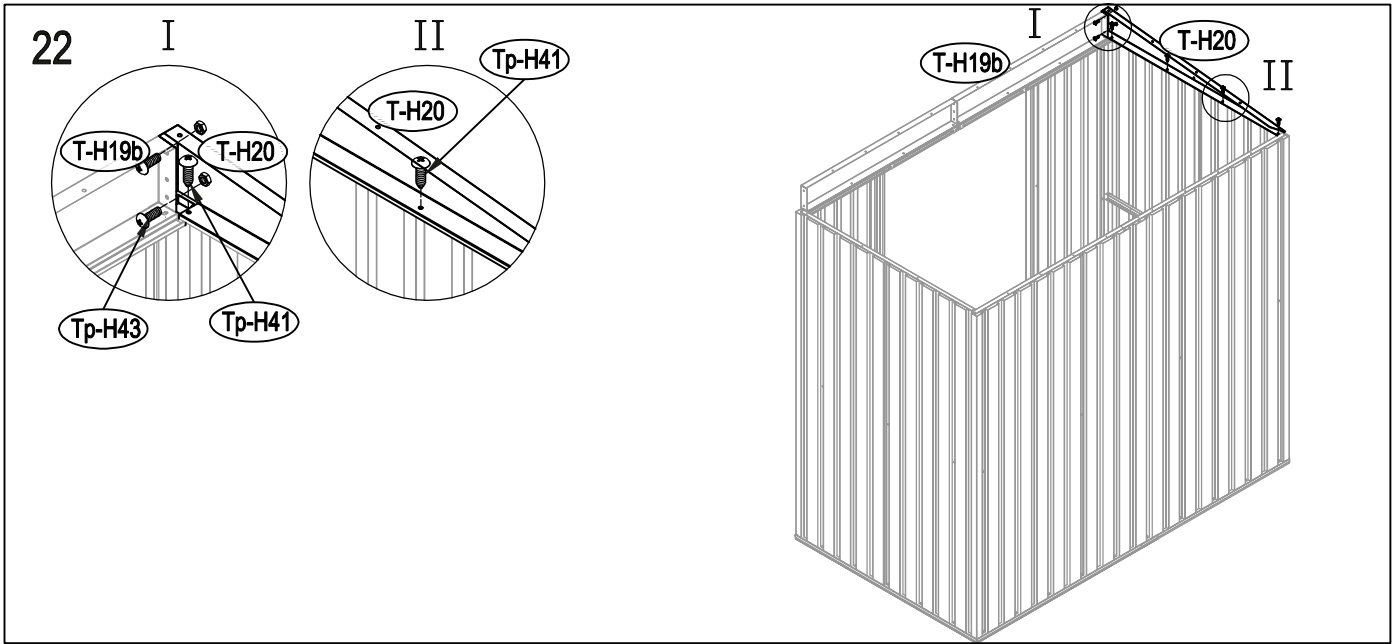


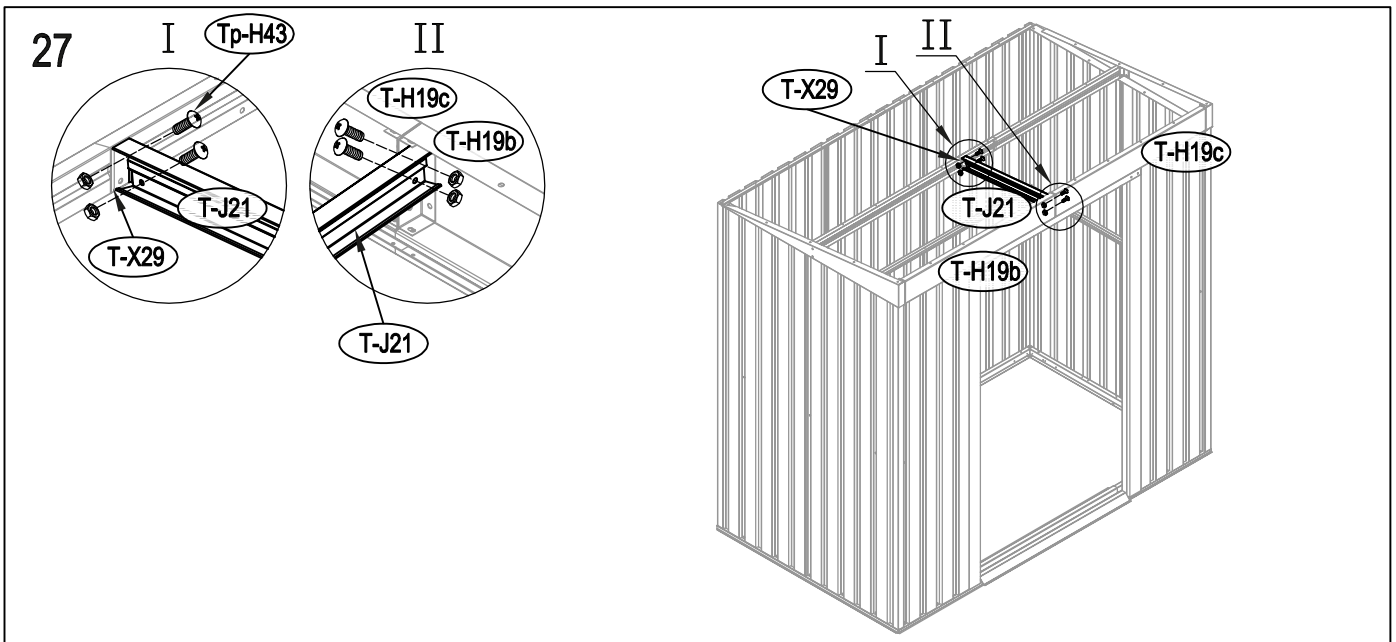
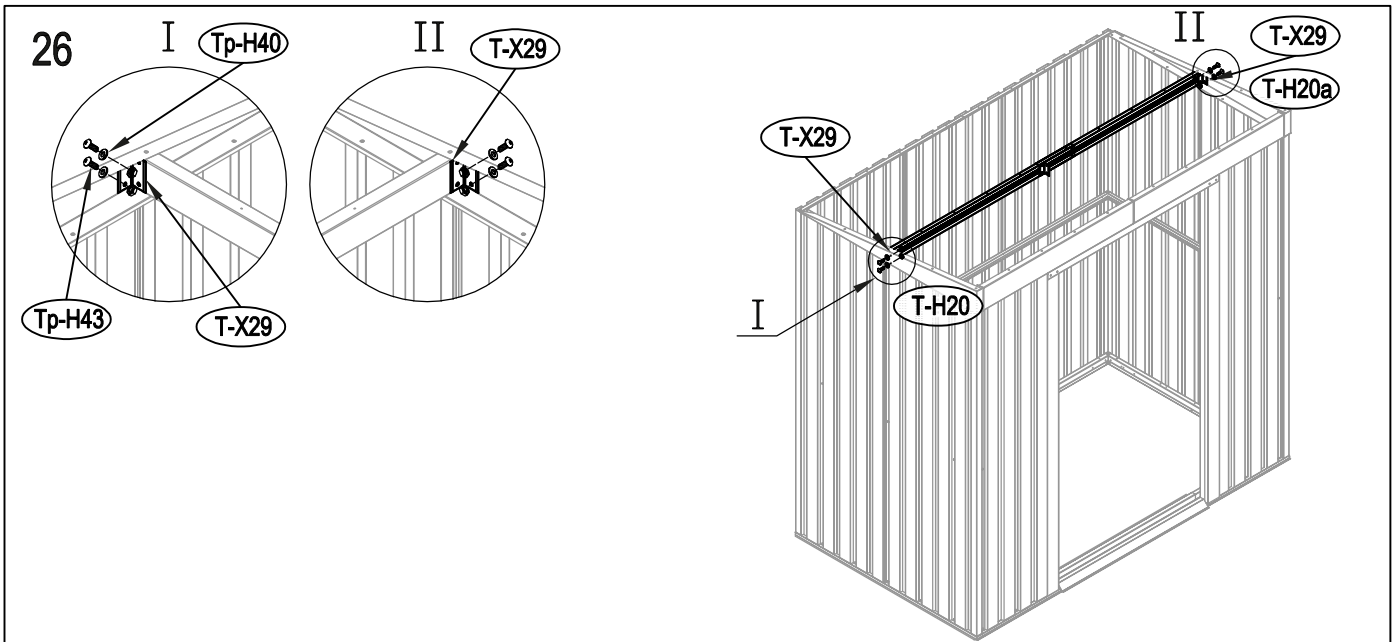
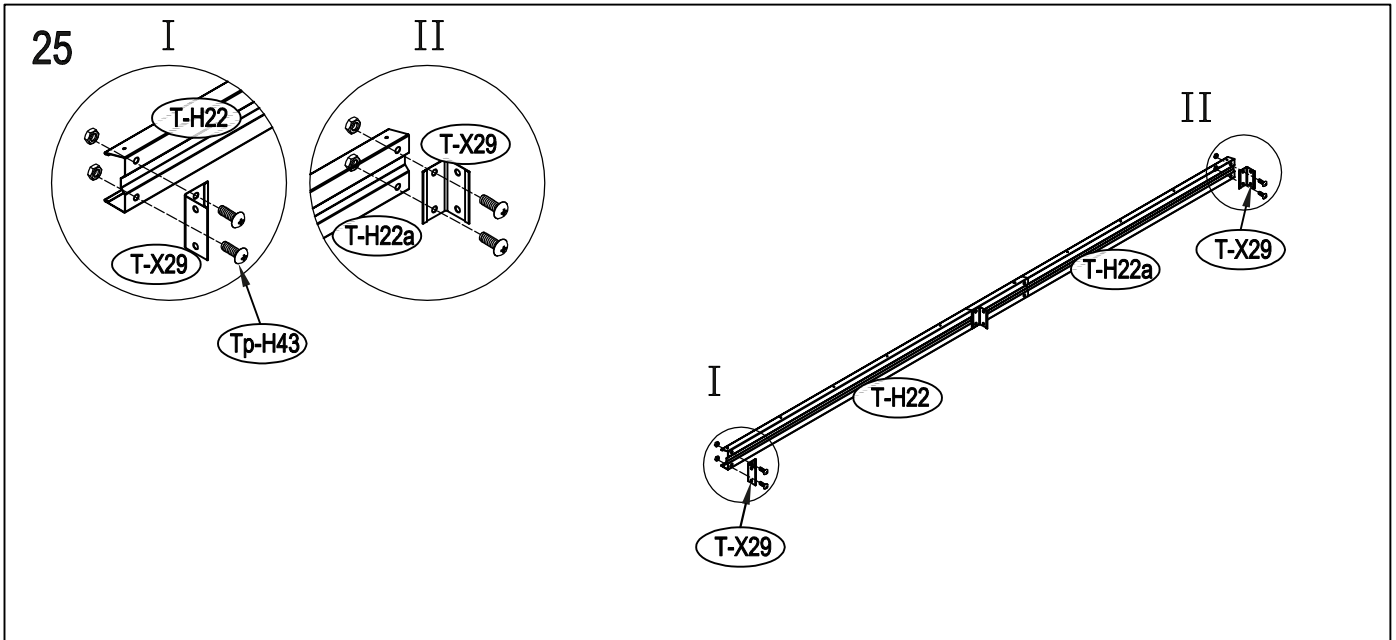


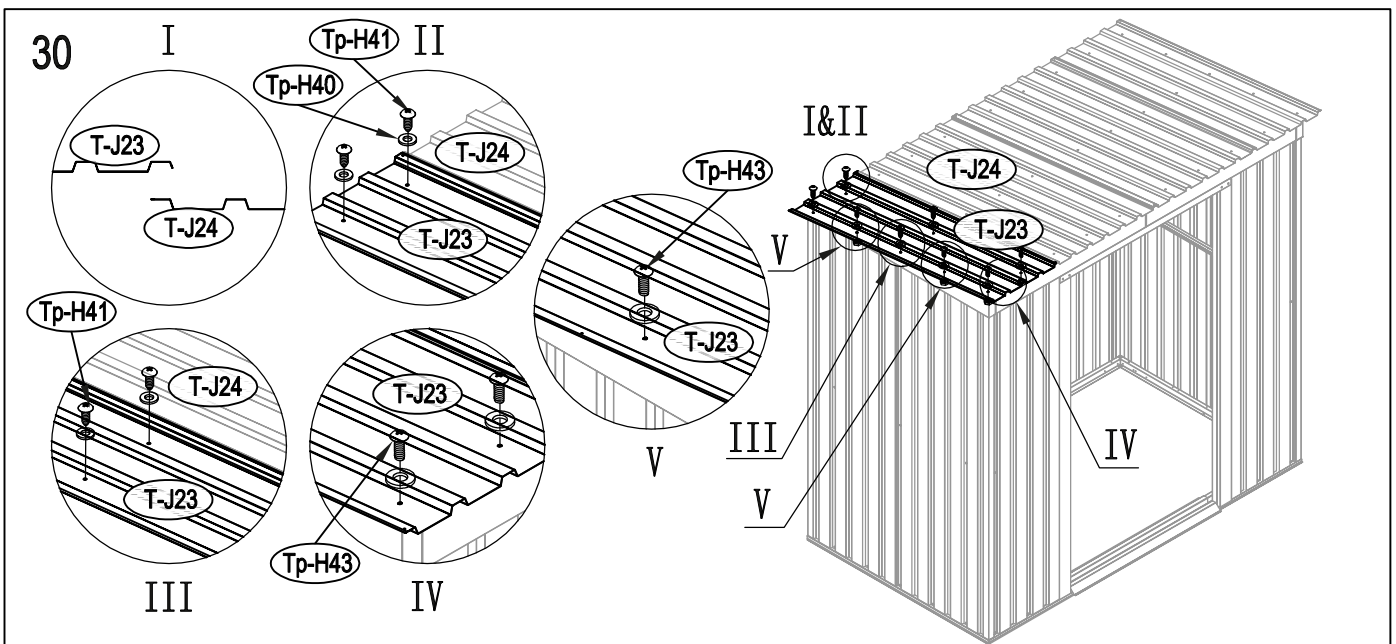
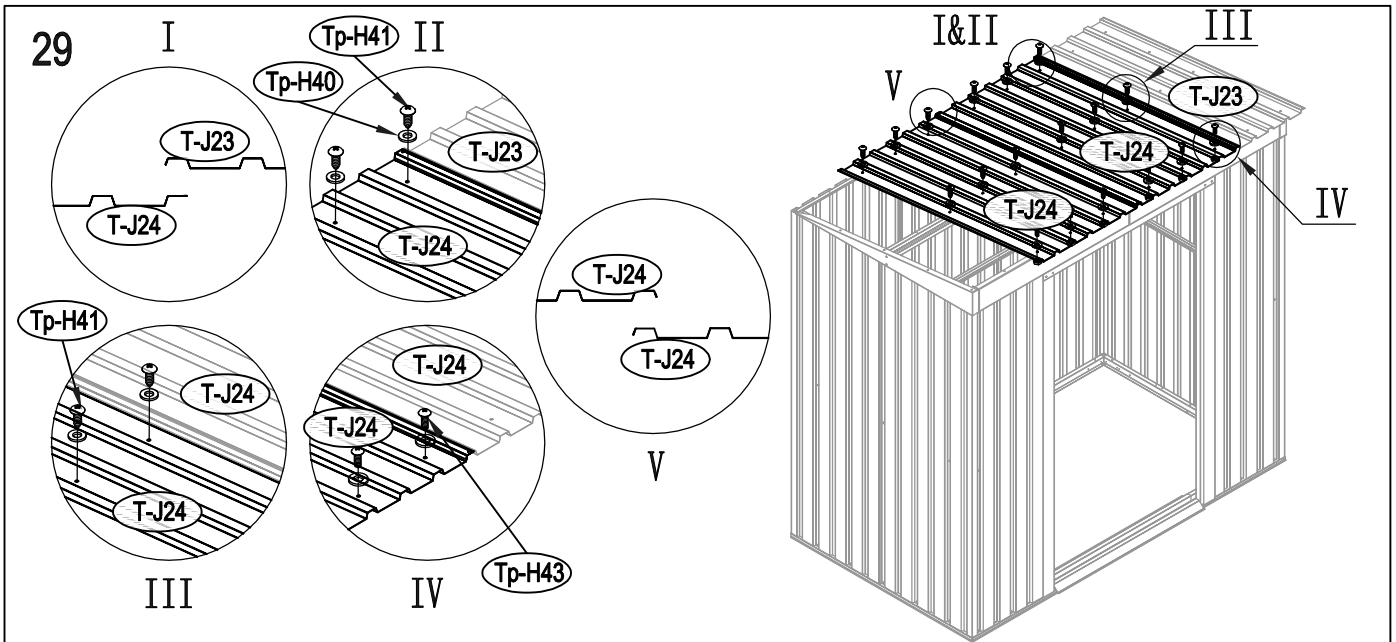
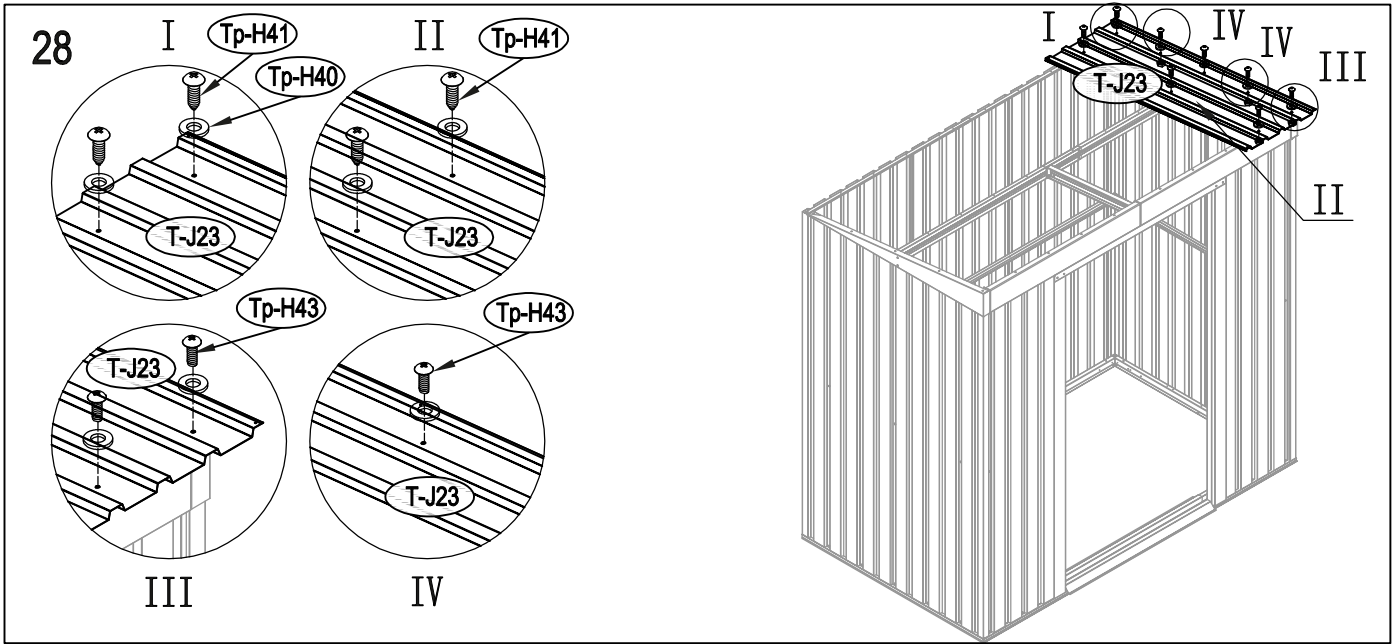


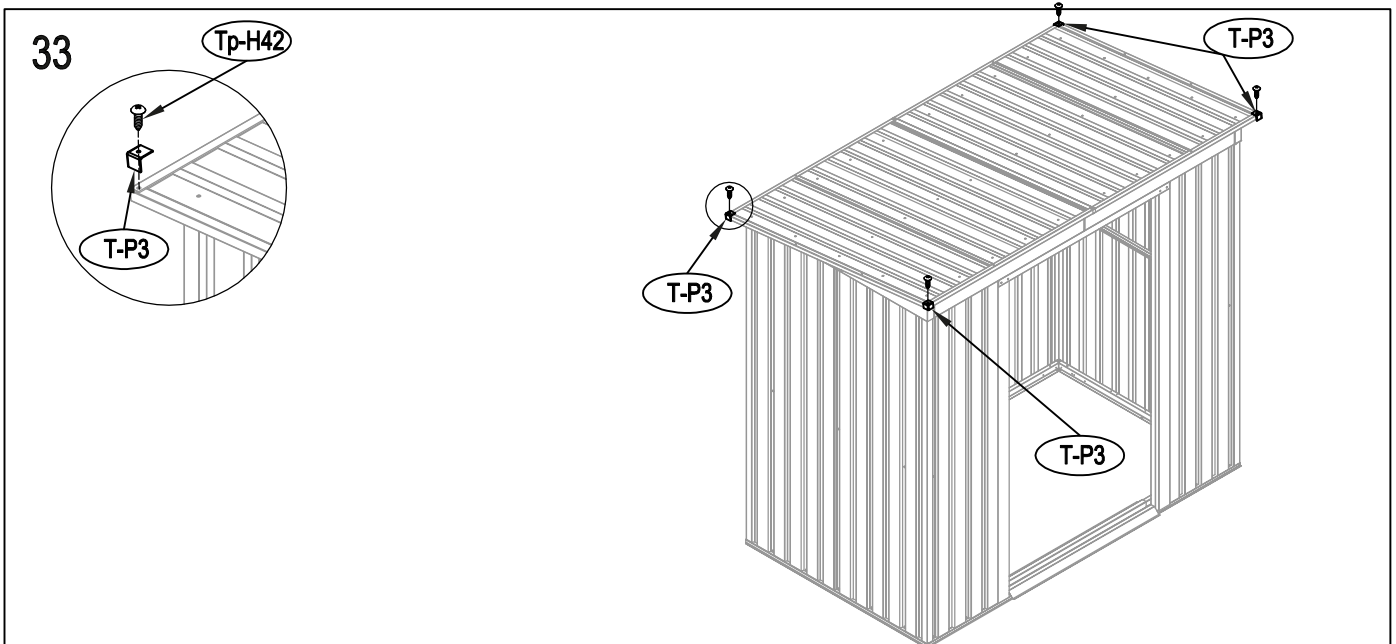
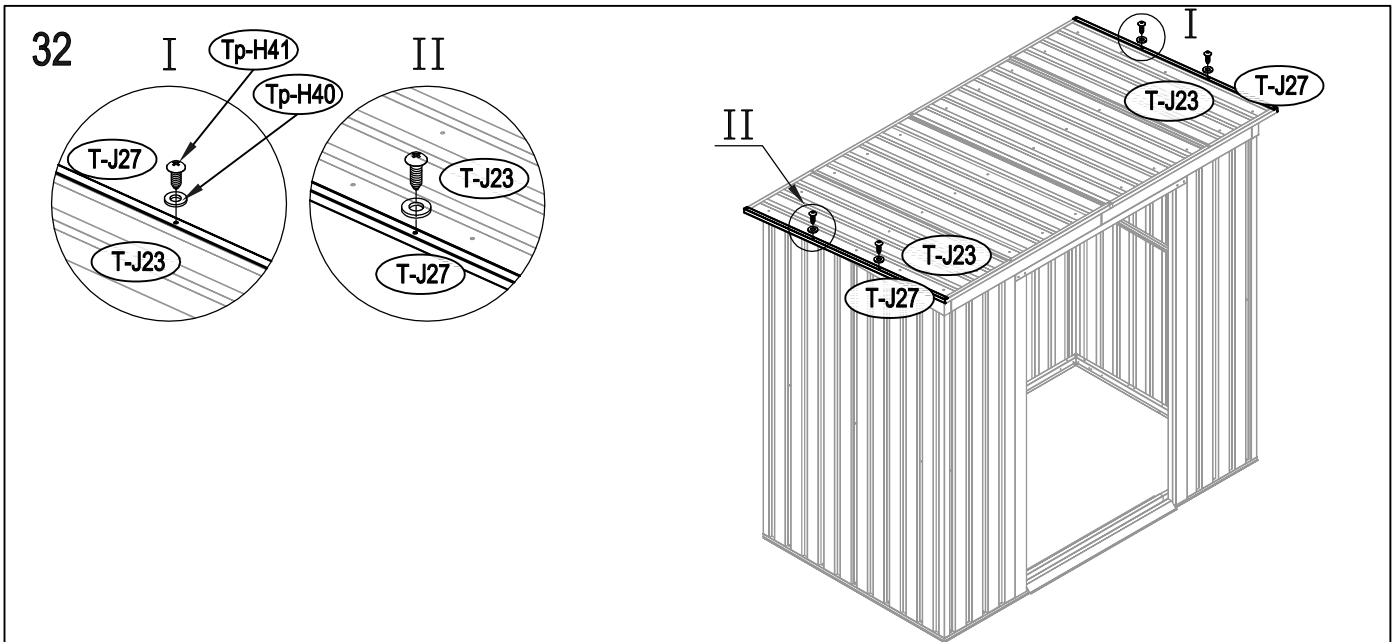
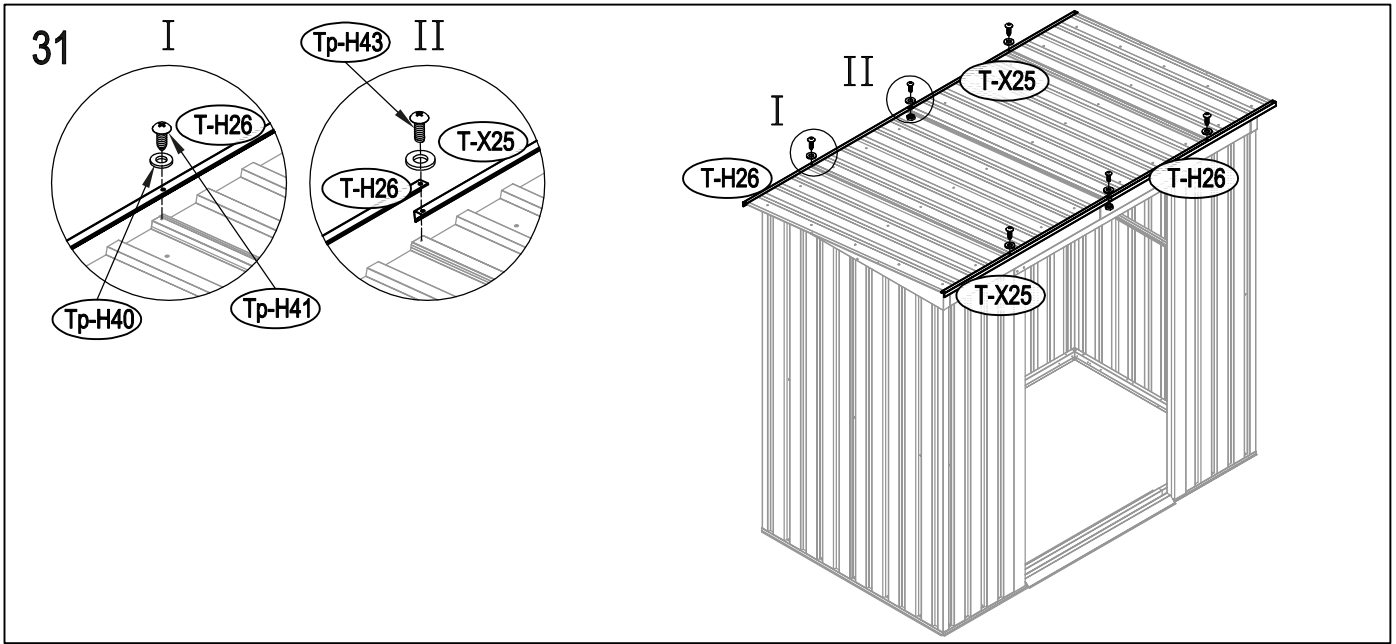




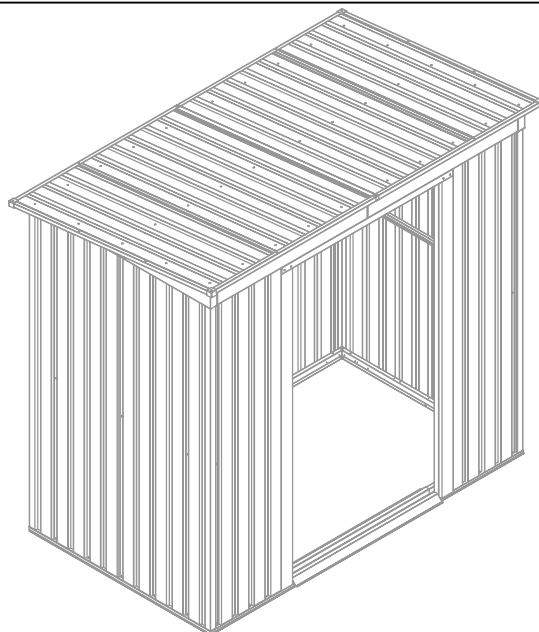
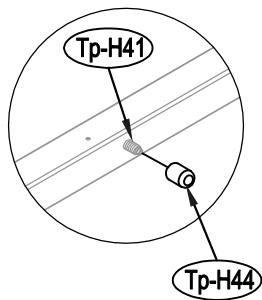








34



35

